

# Shenzhen Airnold Technology Co.,Ltd

[www.airnold.com](http://www.airnold.com)

[sales@airnold.com](mailto:sales@airnold.com)

## Electronic Air Purifier Ashtray

- High Efficient&Mute Filtering
- Powerful Anti-smoke&Deodorizing Office
- Extra Large Capacity Storage
- Prevent Soot from Spiling Over
- Creative&Convenient Cigarette Lighter
- Beautiful Crafted&Durable



15 m<sup>3</sup>/h  
CADR Value

45 dB  
Motor Noise

2.5 W  
Motor Power



• Car



• Table



• Home

[www.airnold.com](http://www.airnold.com)

[sales@airnold.com](mailto:sales@airnold.com)



Electronic Air Purifier Ashtray

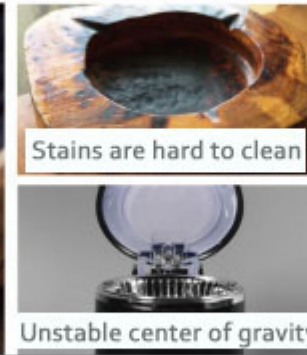
The quality of life starts here.....

[www.airnold.com](http://www.airnold.com)

[sales@airnold.com](mailto:sales@airnold.com)

# Technology Changes Traditional Ashtrays

Traditional Ashtrays



## Electronic Air purification Ashtray

Completely subvert the flaws of the traditional ashtray

AIRNOLD



[www.airnold.com](http://www.airnold.com)

[sales@airnold.com](mailto:sales@airnold.com)



## Simple Appearance, Excellent Material, Exquisite Workmanship



- **Barrel-shaped Design, Rugged and Durable**

Gold segmentation ratio cutting, and combination of upper and lower barrel-shaped modules

- **Flame Retardant Plastic Frame**

PBT Environmental and high temperature resistant plastic

- **High Strength Aluminum Alloy Housing**

2.5 mm thickened shell; highly CNC finishing; high-speed grinding edge, smooth and not easy to cut hands; rigid anodic oxidation process on the surface

- **Metallic Cigarettes Tray**

Made of galvanized plate by stamping molding, anti-rust, anti-burning

- **Multiple Color Options**

Bright metallic texture



Champagne Gold Purplish Red Space Gray Jusha Black Wood Grain

## Multi-scene Applications



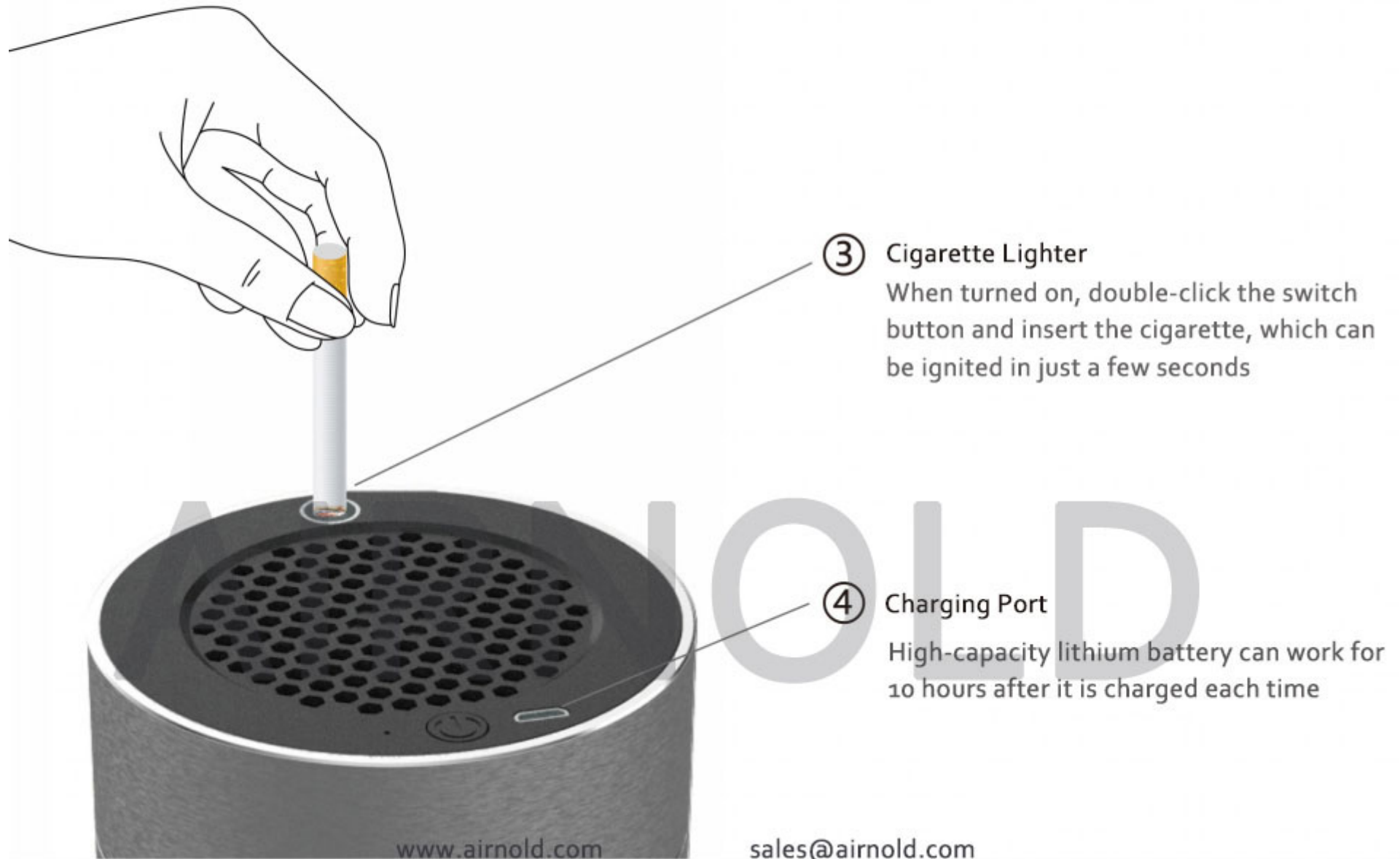
## Easy to Use It, Extremely Long Battery Life

### ① The core part is modular and sturdy as a stone

It can be used after combining the upper electronic purification module with the lower soot storage cylinder



## Easy to Use It, Extremely Long Battery Life





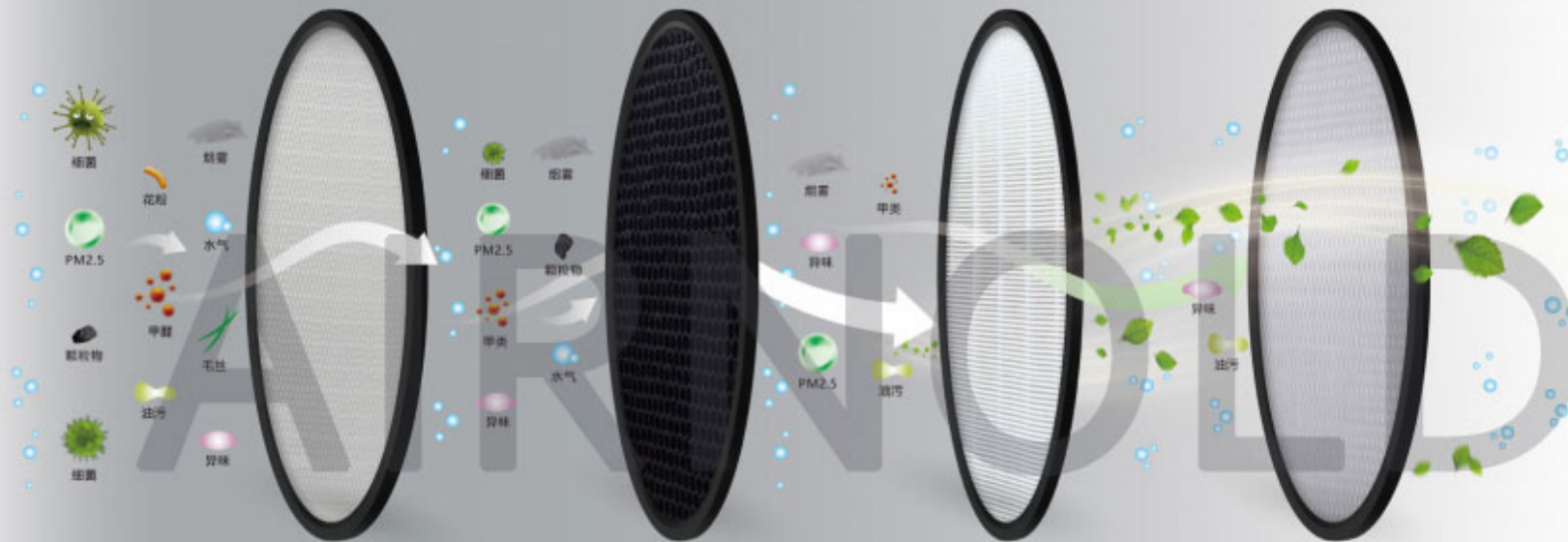
# High Efficient&Mute Filtering -----Powerful Anti-Smoking&Deodorizing Effect





# Four Layers of Filtration for Better Air

Built-in four-layer high-efficiency filter cartridge, with the large air volume fan, Quickly catch dust, PM2.5, TVOC and other harmful substances in the air which are harmful to the human body.



## 1 Initial filter

hair filaments  
large particulate matter  
pollen  
other allergic sources

## 2 Nano-Ore crystal filter

formaldehyde  
odor  
bacteria  
water gas

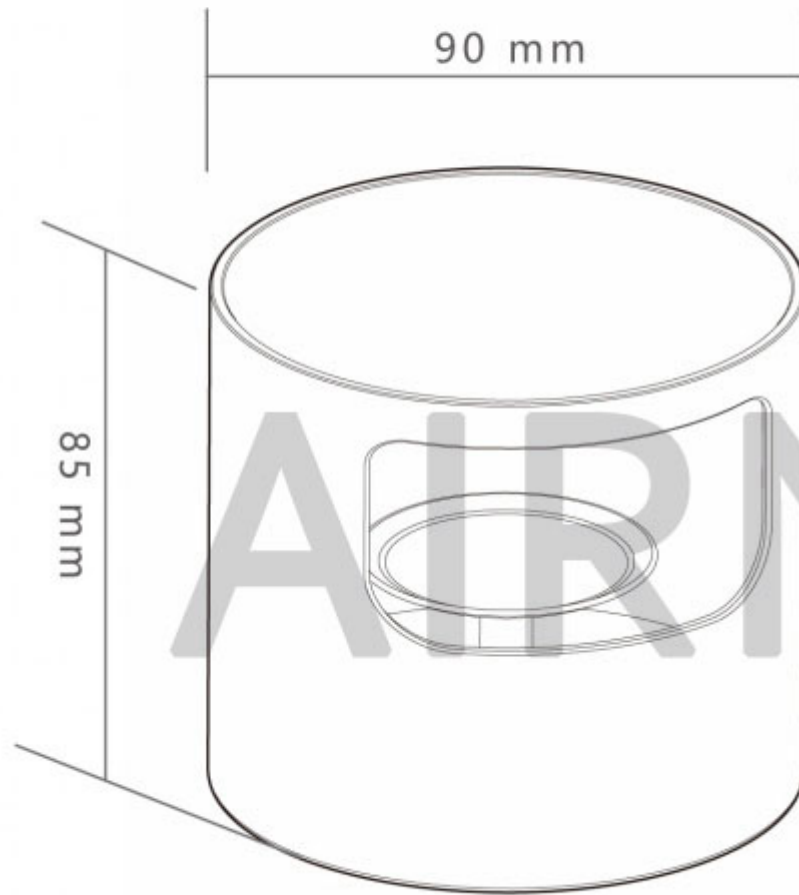
## 3 HEPA filter

smoke  
formaldehyde  
PM2.5

## 4 Activated Carbon filter

odor  
oil stain

## Extra Large Capacity Storage---Prevent Soot from Spilling Over



- **Capacity**

40 cigarette butts can be accommodated without spilling.

- **Easy to Clean it**

1. Pour the soot head into the trash can,
2. Rinse the inner cavity of the ashtray under the faucet
3. Dry it

## Technical Parameters

Product Name: Electronic Air purification Ashtray

Model: AT-03

Product Size: 90mm\*90mm\*117mm

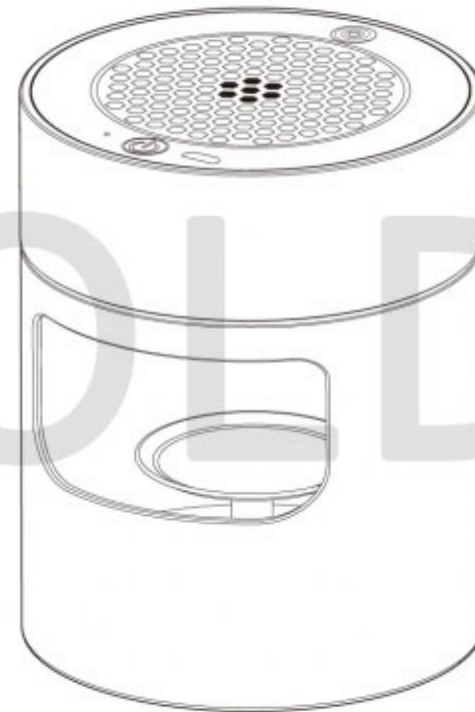
Product Weight: 500g

Working Voltage: 12V

Rated Power: 2.5W

Noise Level: <<45dB

Applicable Temperature: -10c - 40c





# Test Report

P

<p>(19)中华人民共和国国家知识产权局</p>  <p>(12)实用新型</p>	<p>证书号第4542677号</p>  <h3 style="text-align: center;">实用新型专利证书</h3> <p>实用新型名称: 智能新风</p> <p>发 明 人: 林森东</p> <p>专 利 号: 第 2018 2 0391111.2</p> <p>专利申请日: 2018 年 02 月 23 日</p> <p>专 利 权 人: 惠州市维新智能装备有限公司</p> <p>授权公告日: 2018 年 05 月 15 日</p> <p>本实用新型经过本局依照中华人民共和国专利法进行审查,符合授予专利的条件,符合专利法第二十六条的规定,予以公告。专利权的期限为十年,自申请日起算。专利权人在有效期内依照专利法及其实施细则缴纳年费,在本专利的年费应当在每年 02 月 23 日前缴纳,未按规定缴纳年费的,专利权自应当缴纳年费期满之日起终止。</p> <p>专利权的取得依照专利法及其实施细则的规定,专利权的状态、质押、无效、终止、恢复和专利权的转让及质押、担保、地址变更等事项记载在本专利登记簿上。</p>  <p>局长 申长雷</p> <p>2018 年 05 月 15 日</p> <p style="text-align: center;">第 1 页 (共 1 页)</p>	 <p>生物分析检测中心</p> <p>BIOTECH ANALYSIS CENTER FOR MICROBIOLOGY</p> <h3 style="text-align: center;">检测报告</h3> <p>BIOTECH ANALYSIS</p>  <p>唯一标识符(Verification Code): 320499801</p> <table border="1" data-bbox="1417 687 1686 919"> <thead> <tr> <th>方式</th> <th>检测类型</th> <th>委托检测</th> </tr> </thead> <tbody> <tr> <td>送检</td> <td>检测</td> <td>惠州市仲恺高新区 35 号民广路 1</td> </tr> <tr> <td>送检</td> <td>检测</td> <td>6 台</td> </tr> <tr> <td>送检</td> <td>检测</td> <td>6 批</td> </tr> <tr> <td>检测完成日期</td> <td>Completion Date</td> <td>2017-07-21</td> </tr> <tr> <td colspan="2">GB 21550.8-2019</td> <td></td> </tr> <tr> <td colspan="2">空气净净化度</td> <td></td> </tr> </tbody> </table> <p>见本检测报告附件。</p>  <p>签发日期: 2017-06-04 Inser Code:  检测机构: 0366601</p> <p>维新有限公司, 本公司为广东惠州市维新智能装备有限公司提供检测服务, 本报告依照 GB/T 27025 标准进行检测, 符合 GB/T 27025 标准。关于本中心检测所获得的实用新型专利号为 201720671511.6。/ 注</p> <p>批准人: 孙俊华</p> <p>批准人: 孙俊华</p> <p style="text-align: center;">第 2 页 共 4 页</p>	方式	检测类型	委托检测	送检	检测	惠州市仲恺高新区 35 号民广路 1	送检	检测	6 台	送检	检测	6 批	检测完成日期	Completion Date	2017-07-21	GB 21550.8-2019			空气净净化度		
方式		检测类型	委托检测																				
送检	检测	惠州市仲恺高新区 35 号民广路 1																					
送检	检测	6 台																					
送检	检测	6 批																					
检测完成日期	Completion Date	2017-07-21																					
GB 21550.8-2019																							
空气净净化度																							
<p>(21)申请号 2018 2 0391100.4</p> <p>(22)申请日 2018. 02. 23</p> <p>(73)专利权人 惠州市维新智能装备有限公司 地址 516006 广东省惠州市仲恺高新区 35 号民广路 1</p> <p>(72)发明人 林森东</p> <p>(74)专利代理机构 北京同安天诚知识产权代理有限公司 41183 代理人 许志清</p> <p>(51)Int. Cl. A62F 21/00(2006.01) A62F 6/02(2006.01)</p> <p>(54)实用新型名称 一种的智能新风装置</p> <p>(57)摘要 本实用新型公开了一种智能新风净化装置, 其包括进风装置和无线式电装置, 其中进风装置包括传感器检测, 进风控制, 风轮驱动机构, 传感器控制, 进风控制, 风轮驱动, TVOC 传感器的三合一控制; 进风控制是由固定安装一具复杂风道机构; 风轮驱动机构由固定安装在电机, 其控制和传感器组成, 产品壳体上设有多个进风口, 下端设有排风口, 风轮通过进风控制, 驱动风轮; 通过无线光电传感器和进风控制, 使气流控制, 运行操作; 进气和排风气流动静, 保证进风效率高; 通过多道进风控制进风, 保证进风“洁净, 进风控制可调节。</p> <p>CV_206533304_1</p>																							